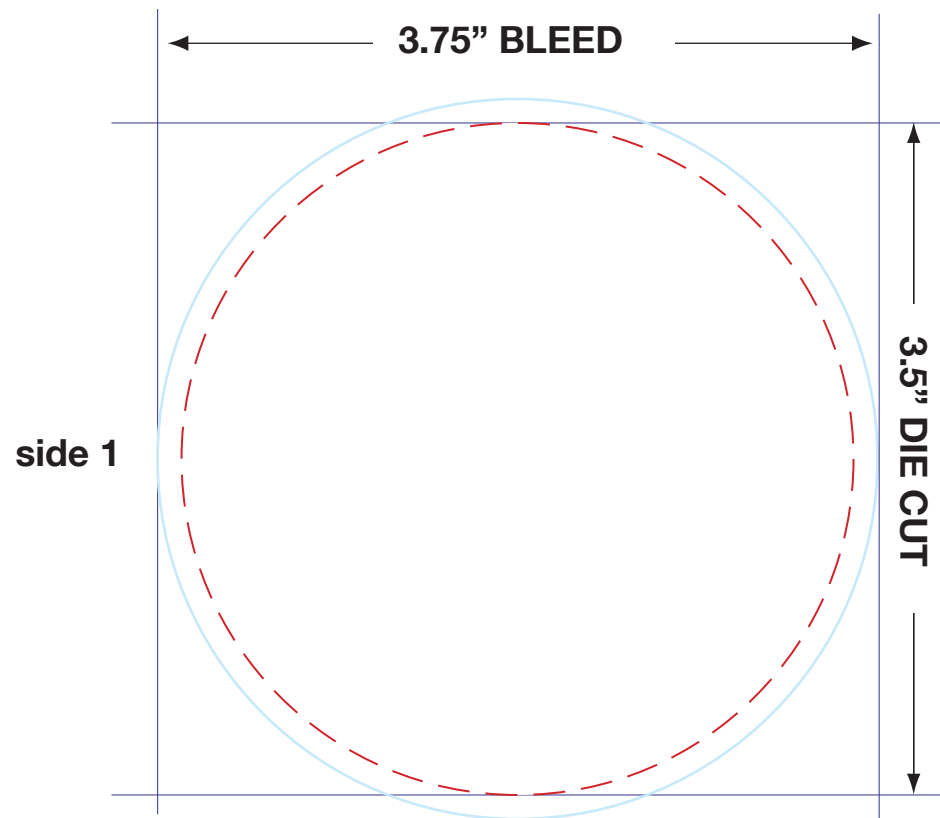
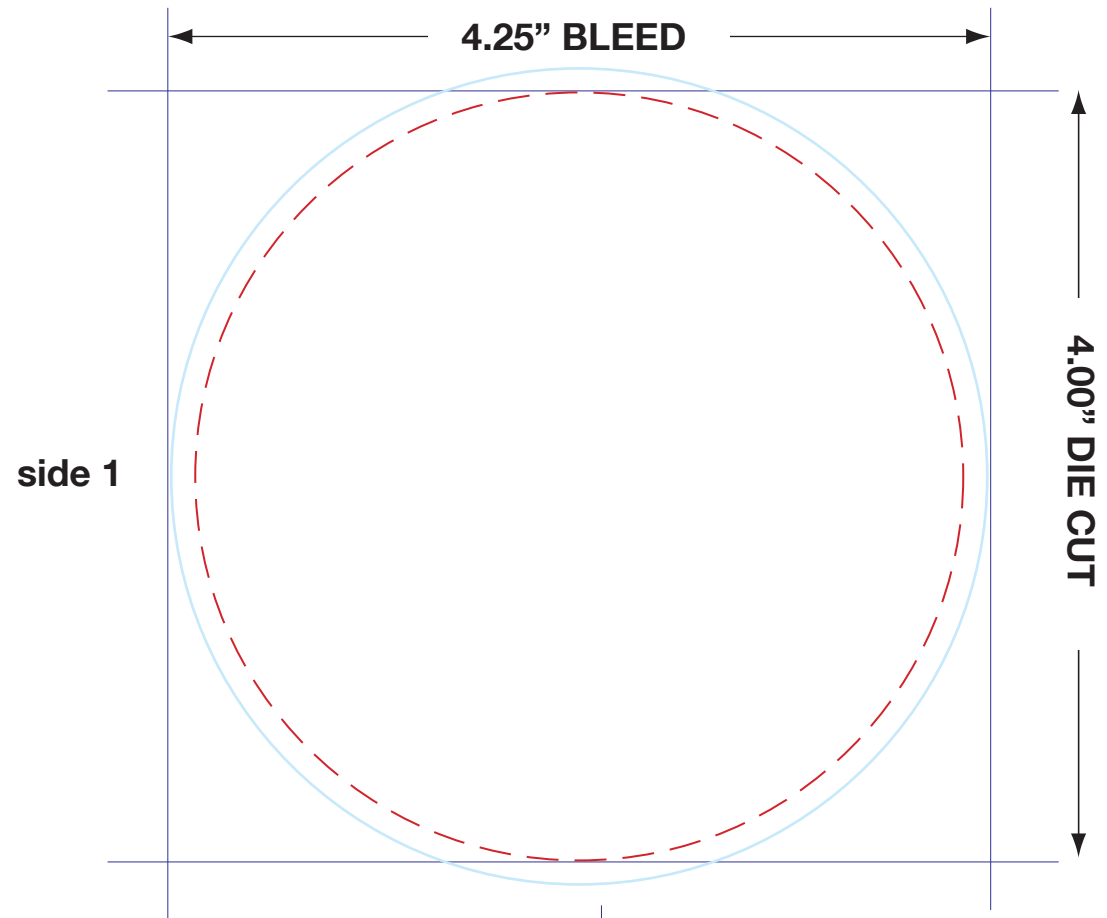


Purchase 3 or more different logo products at the same time and receive a 5% discount, order 5 or more products and receive a 10% discount.

Custom Round 3.5" Approximately 60 Point Pulpboard coasters



Custom Round 4" Approximately 60 Point Pulpboard coasters



Please list printing color below

CMYK Side 1

CMYK Side 2

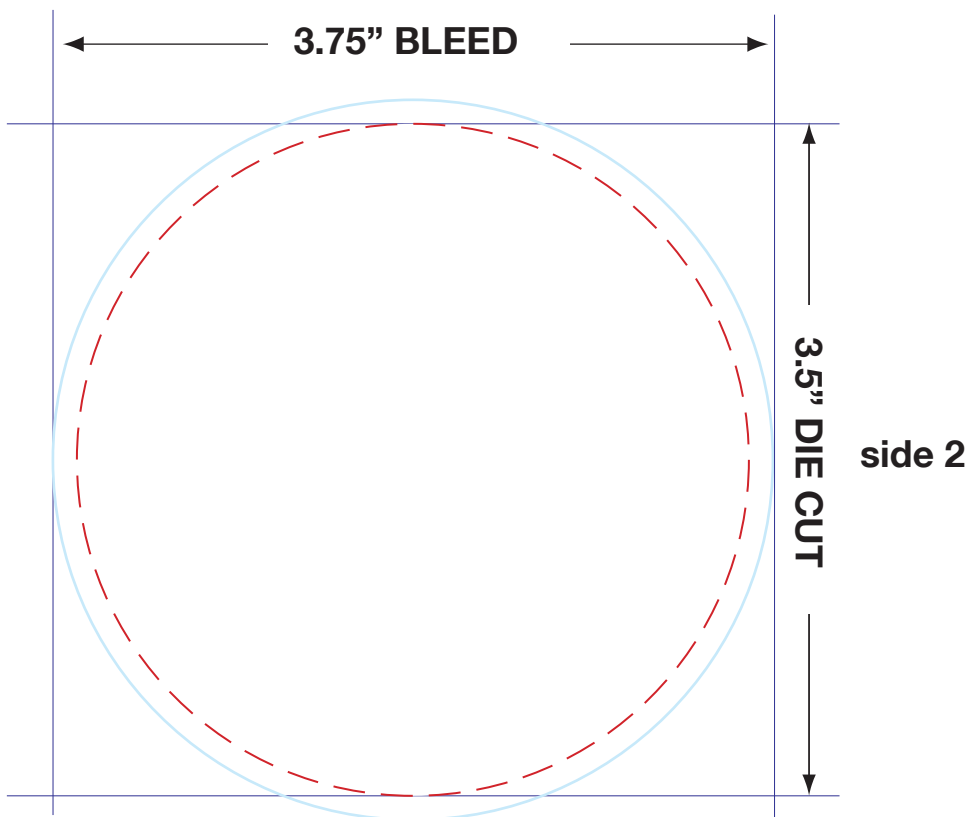
IMPORTANT NOTICE:
The colors appearing on this PDF proof are not color-calibrated but represent the colors to be used on press. If there is anything wrong with these colors, do not approve this proof. Please check and double-check this proof: all colors, graphics, copy, punctuation, and spelling. It is only to be approved if all elements of your job are absolutely correct. Final correctness is your sole responsibility. Once you have approved this proof Sudek USA Inc. will not be responsible for any omissions, oversights, or errors.

DATE: _____

SIGNATURE: _____

PRINT NAME: _____

POSITION: _____



Please list printing color below

CMYK Side 1

CMYK Side 2

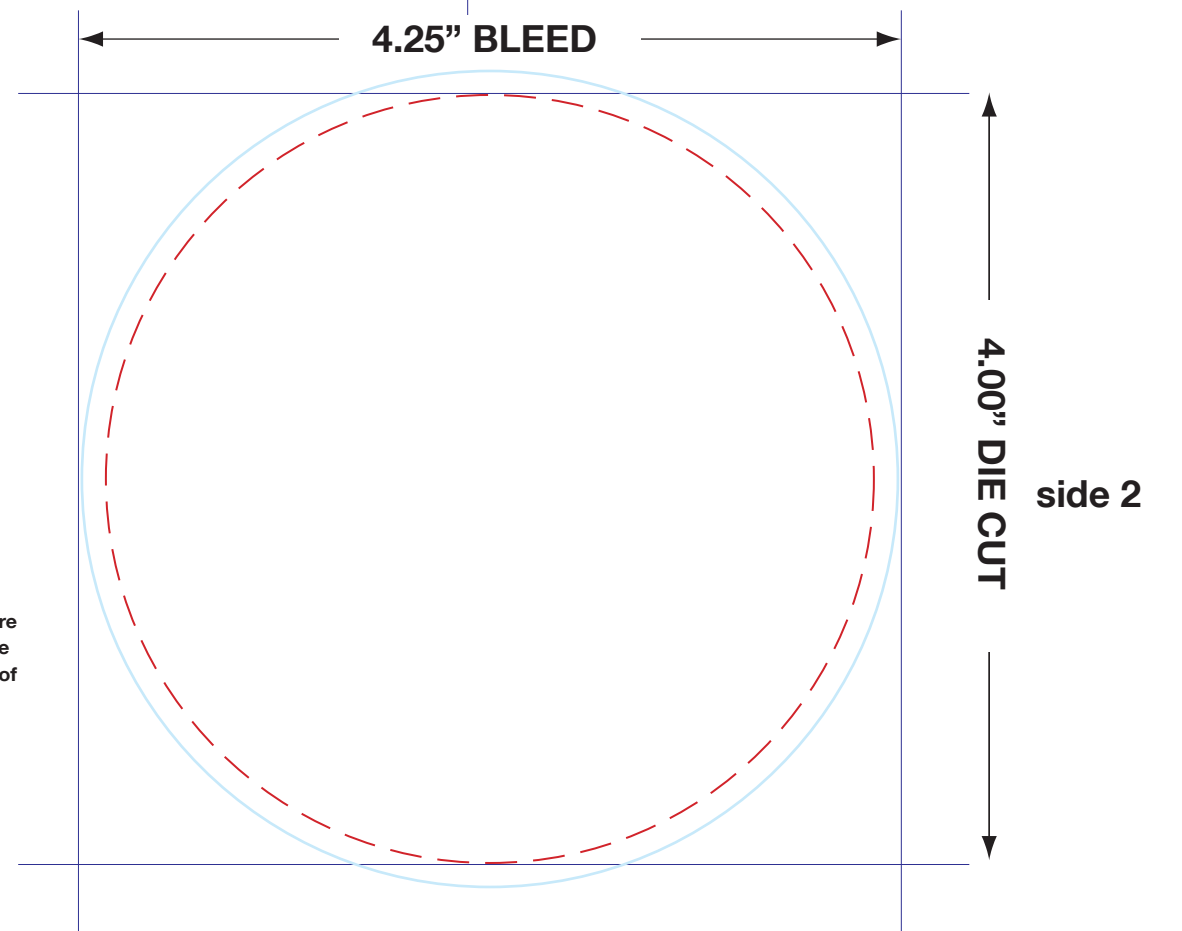
IMPORTANT NOTICE:
The colors appearing on this PDF proof are not color-calibrated but represent the colors to be used on press. If there is anything wrong with these colors, do not approve this proof. Please check and double-check this proof: all colors, graphics, copy, punctuation, and spelling. It is only to be approved if all elements of your job are absolutely correct. Final correctness is your sole responsibility. Once you have approved this proof Sudek USA Inc. will not be responsible for any omissions, oversights, or errors.

DATE: _____

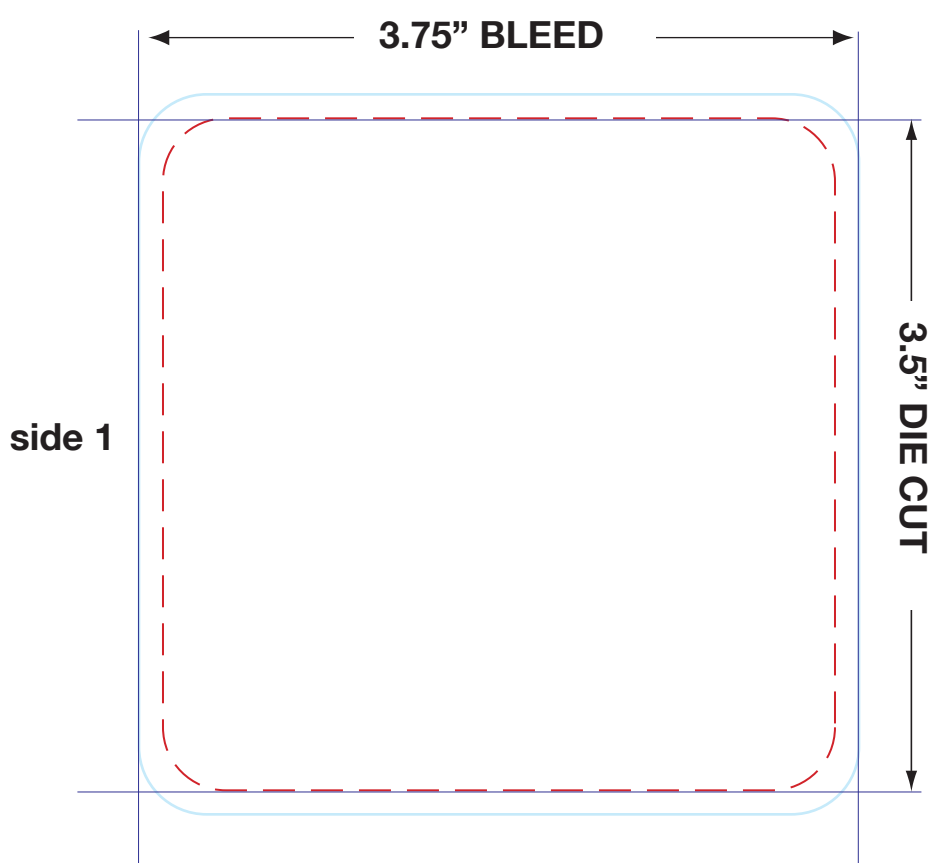
SIGNATURE: _____

PRINT NAME: _____

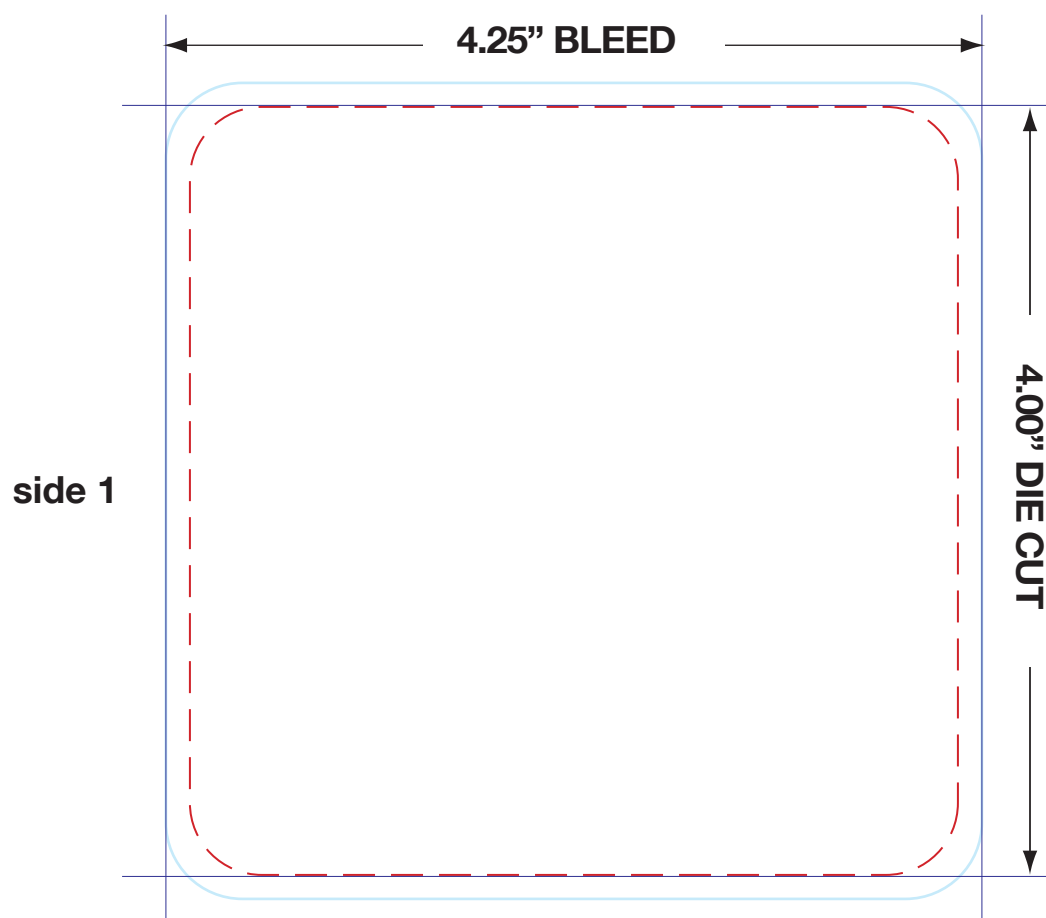
POSITION: _____



Custom Square 3.5" Approximately 60 Point Pulpboard coasters



Custom Square 4.00" Approximately 60 Point Pulpboard coasters



Please list printing color below

CMYK Side 1

CMYK Side 2

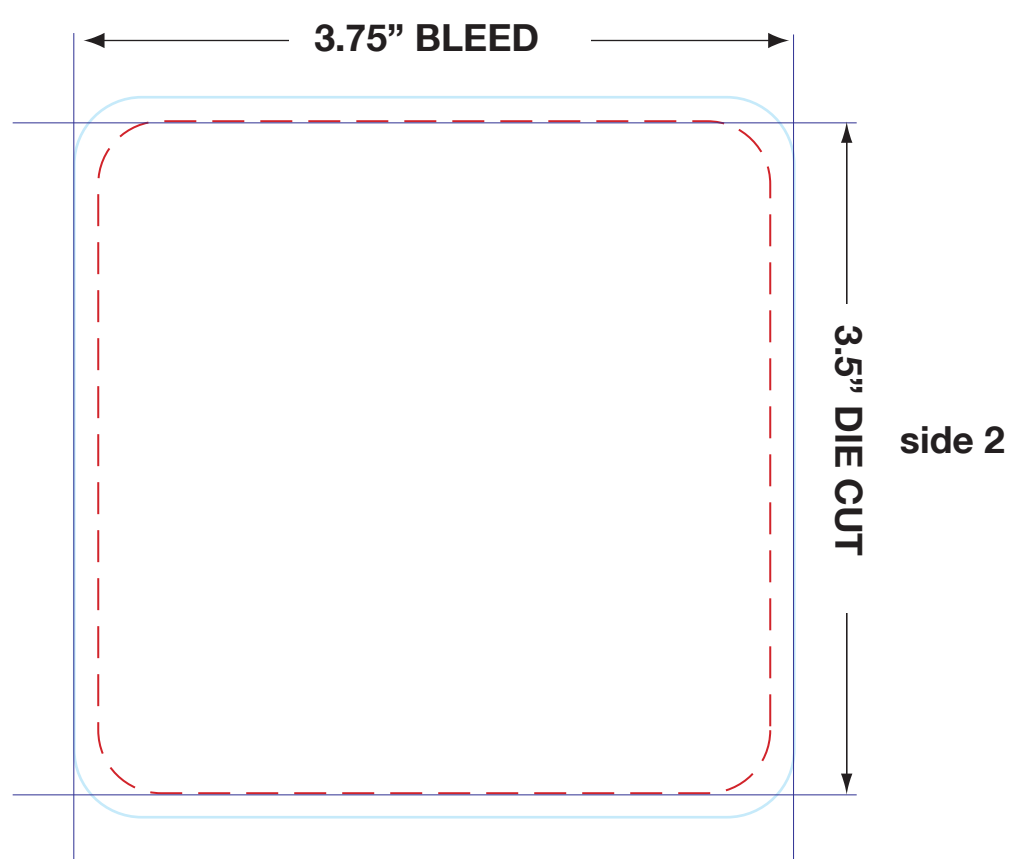
IMPORTANT NOTICE:
The colors appearing on this PDF proof are not color-calibrated but represent the colors to be used on press. If there is anything wrong with these colors, do not approve this proof. Please check and double-check this proof: all colors, graphics, copy, punctuation, and spelling. It is only to be approved if all elements of your job are absolutely correct. Final correctness is your sole responsibility. Once you have approved this proof Sudek USA Inc. will not be responsible for any omissions, oversights, or errors.

DATE: _____

SIGNATURE: _____

PRINT NAME: _____

POSITION: _____



Please list printing color below

CMYK Side 1

CMYK Side 2

IMPORTANT NOTICE:
The colors appearing on this PDF proof are not color-calibrated but represent the colors to be used on press. If there is anything wrong with these colors, do not approve this proof. Please check and double-check this proof: all colors, graphics, copy, punctuation, and spelling. It is only to be approved if all elements of your job are absolutely correct. Final correctness is your sole responsibility. Once you have approved this proof Sudek USA Inc. will not be responsible for any omissions, oversights, or errors.

DATE: _____

SIGNATURE: _____

PRINT NAME: _____

POSITION: _____

